

Wind Chime Plans

Cut a disk for the wind chime carrier using the chart listed below for recommended sizes. Make sure that the underside of the blank has a flat surface and is sanded smooth.

Chime Size	Blank Size	Waste Block Tenon	Spacer Length
Small	2 1/2" to 3 1/2" dia.	2" dia.	1 3/8"
Medium	3 1/2" to 5"	2 1/2" dia.	2 1/4"
Large	4" to 6" dia.	3" dia.	3"

Turning Procedure

STEP 1 MOUNT A WASTE BLOCK ON A SCREW CHUCK OR FACEPLATE. (see figure 1)

- Reduce the block to a cylinder, and turn a tenon to the recommended size shown in the chart for your size of wind chime.
- Square the face of the tenon making it flat and smooth.

STEP 2 MOUNT THE WIND CHIME CARRIER ONTO THE WASTE BLOCK.

- Apply double-faced tape to the face of the waste block.
- Mount the underside of the wind chime carrier onto the double-faced tape.
- Advance the tailstock up against the workpiece.

STEP 3 SHAPE THE WIND CHIME CARRIER TO YOUR LIKING.

- Turn and finish the wind chime carrier to the desired shape.
- Remove the tailstock, turn and finish the center of the wind chime carrier.

STEP 4 DRILL A HOLE IN THE TOP OF THE WIND CHIME CARRIER FOR THE EYE-SCREW.

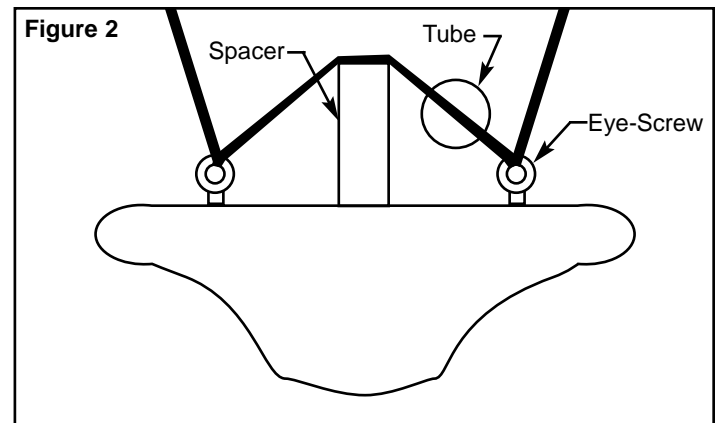
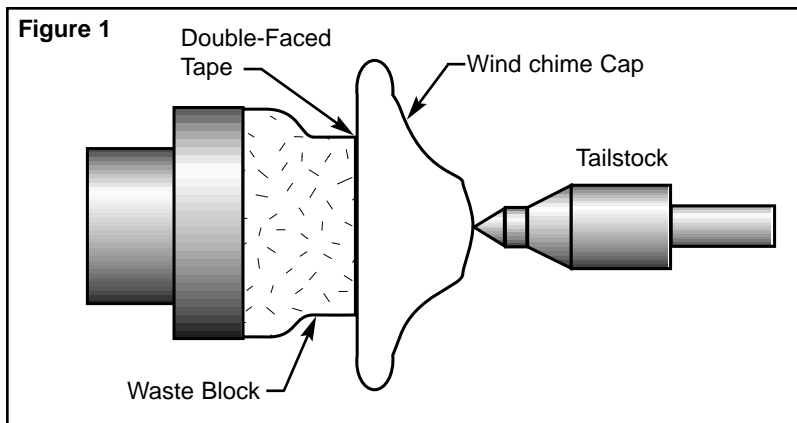
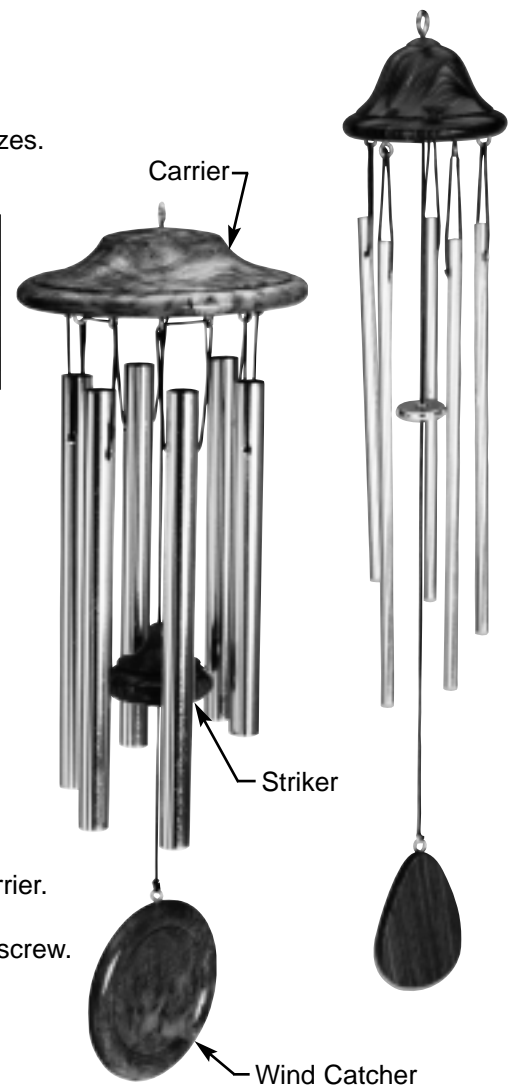
- Drill a pilot hole in the top of the wind chime carrier for the large eye-screw.

STEP 5 SAND AND FINISH THE TOP OF THE CARRIER.

- Remove the workpiece from the lathe and apply finish to bottom.

STEP 6 MAKE THE STRIKER AND WIND CATCHER.

- These can be turned on the lathe or simply cut out on the bandsaw.
- Drill a small pilot hole in the top and bottom of the striker for the eye-screws.
- Drill a small pilot hole in the outer edge of the wind catcher for an eye-screw.



Drilling the Eye-Screw Holes

To drill the pilot holes for the eye-screws, select and cut out the template that matches the size of wind chime you are making.

- STEP 1 ATTACH THE TEMPLATE TO WIND CHIME CAP.**
- Center the template on the bottom of the wind chime carrier and attach it with tape.
- STEP 2 DRILL THE HOLES.**
- Drill the pilot holes on the indicated marks.
 - Be sure the tenon end of the column is against the drive center.
- STEP 3 SCREW THE EYE-SCREWS INTO THE DRILLED HOLES.**

Stringing the Wind Chime

In order to have tubes hanging at equal distances for the wind chime carrier, make a spacer using the lengths given on the size chart on the front page.

- STEP 1 THREAD THE STRING.**
- Tie the string to one eye-screw.
 - Thread the string through the drilled holes in the longest wind chime tube.
 - Use a spacer to determine the amount of slack in the string (see figure 2).
 - Thread the string through the next eye-screw and tie it off.
 - Continue this process until you have tied off all of the tubes, working from longest to shortest.
- STEP 2 ATTACH THE STRING TO THE STRIKER.**
- Tie the striker string onto the eye-screw. Tie the striker off about 3" below the top of the tubes.
- STEP 3 ATTACH THE STRING TO THE WIND CATCHER.**
- Tie the wind catcher off about 5" to 10" below the chimes.

Figure 2

