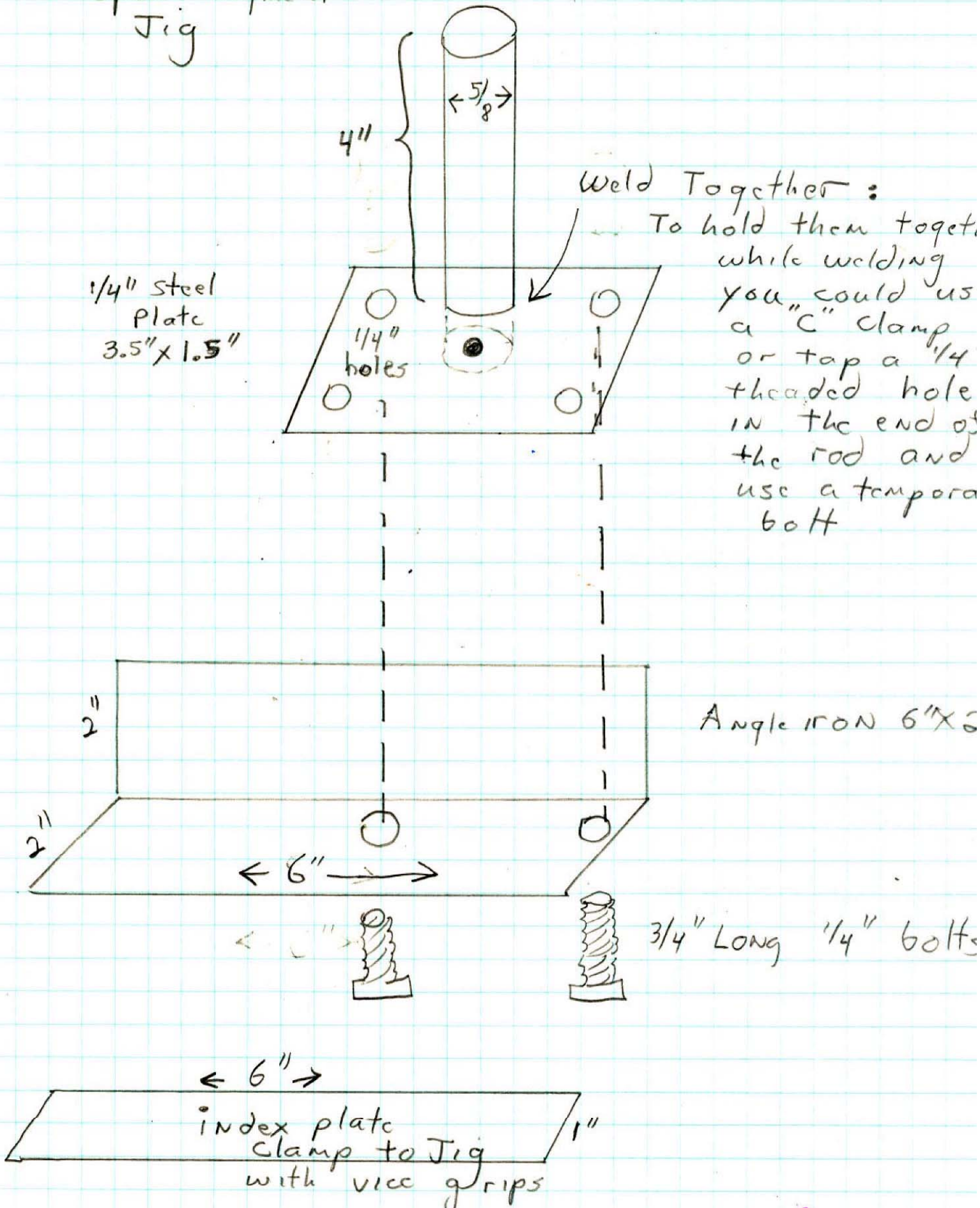


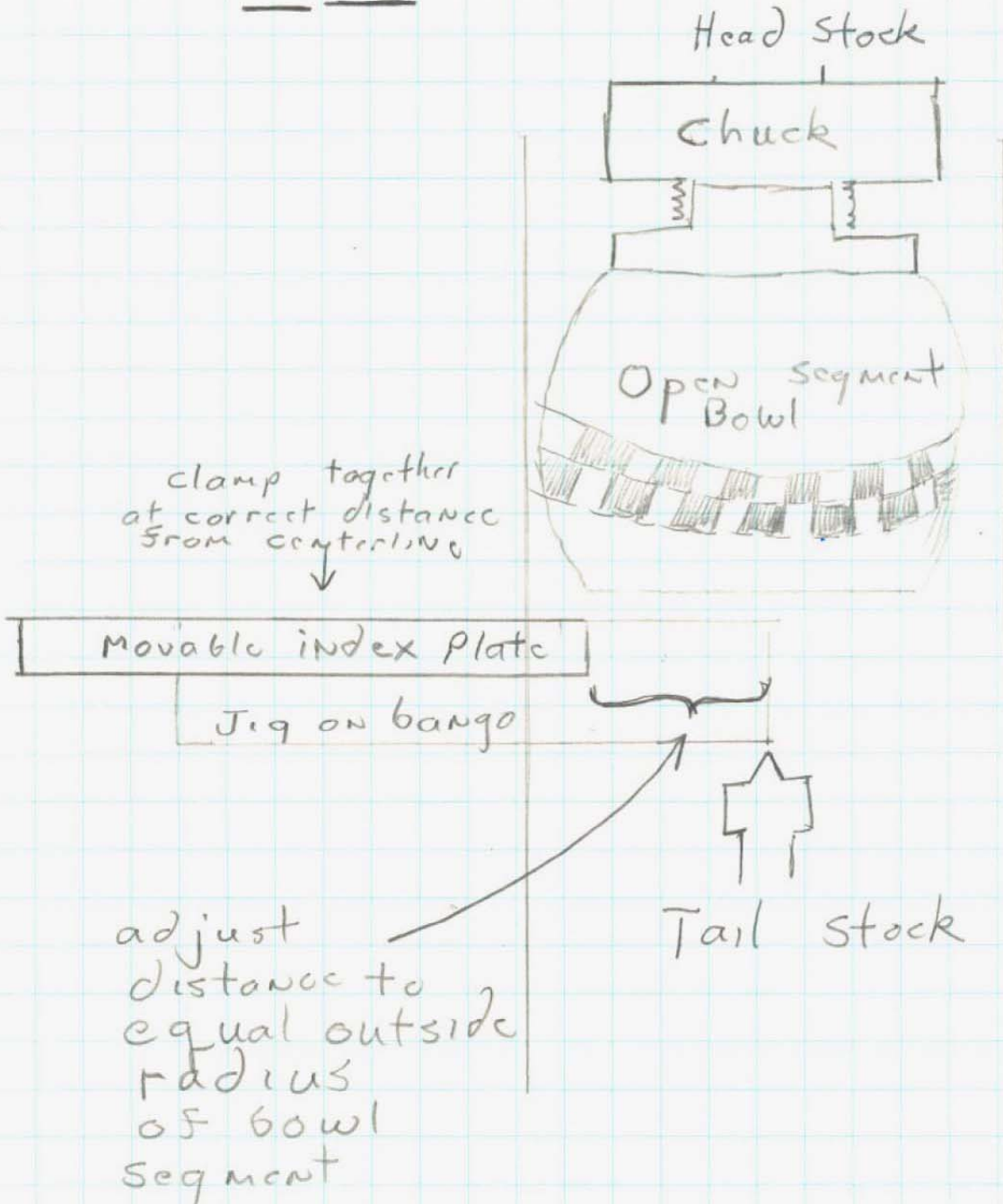
Jet Mini Lathe Open Segment Jig



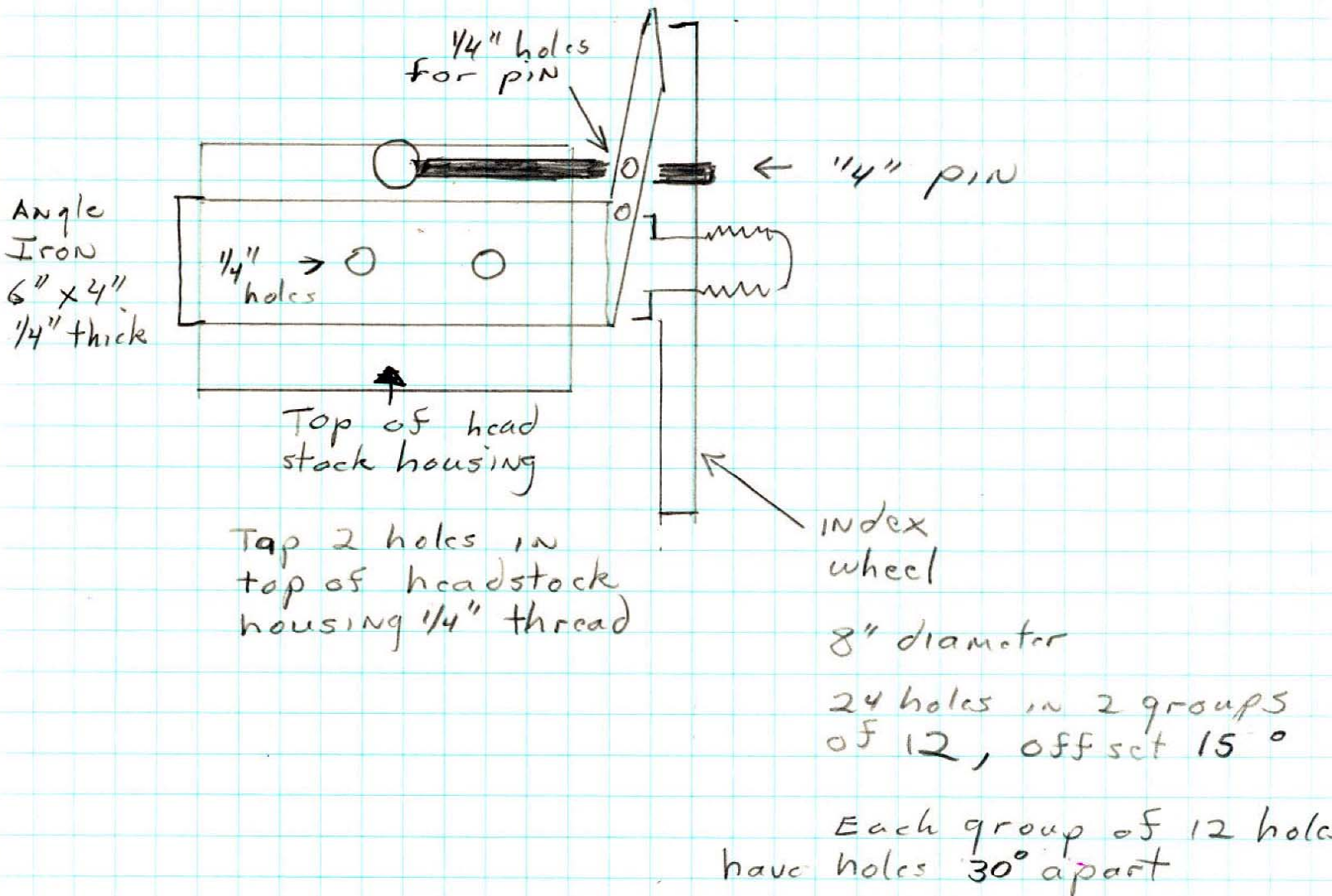
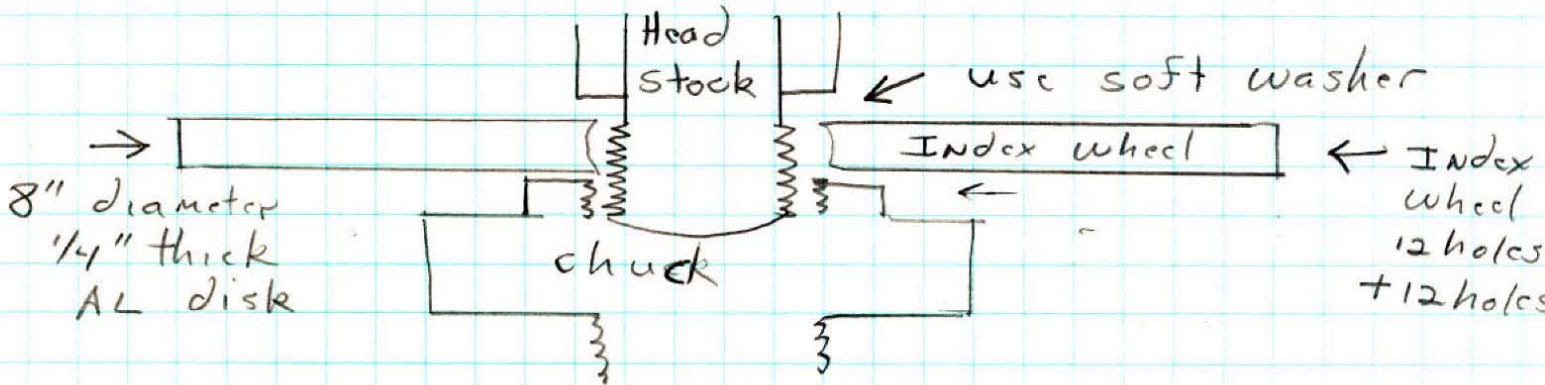
2

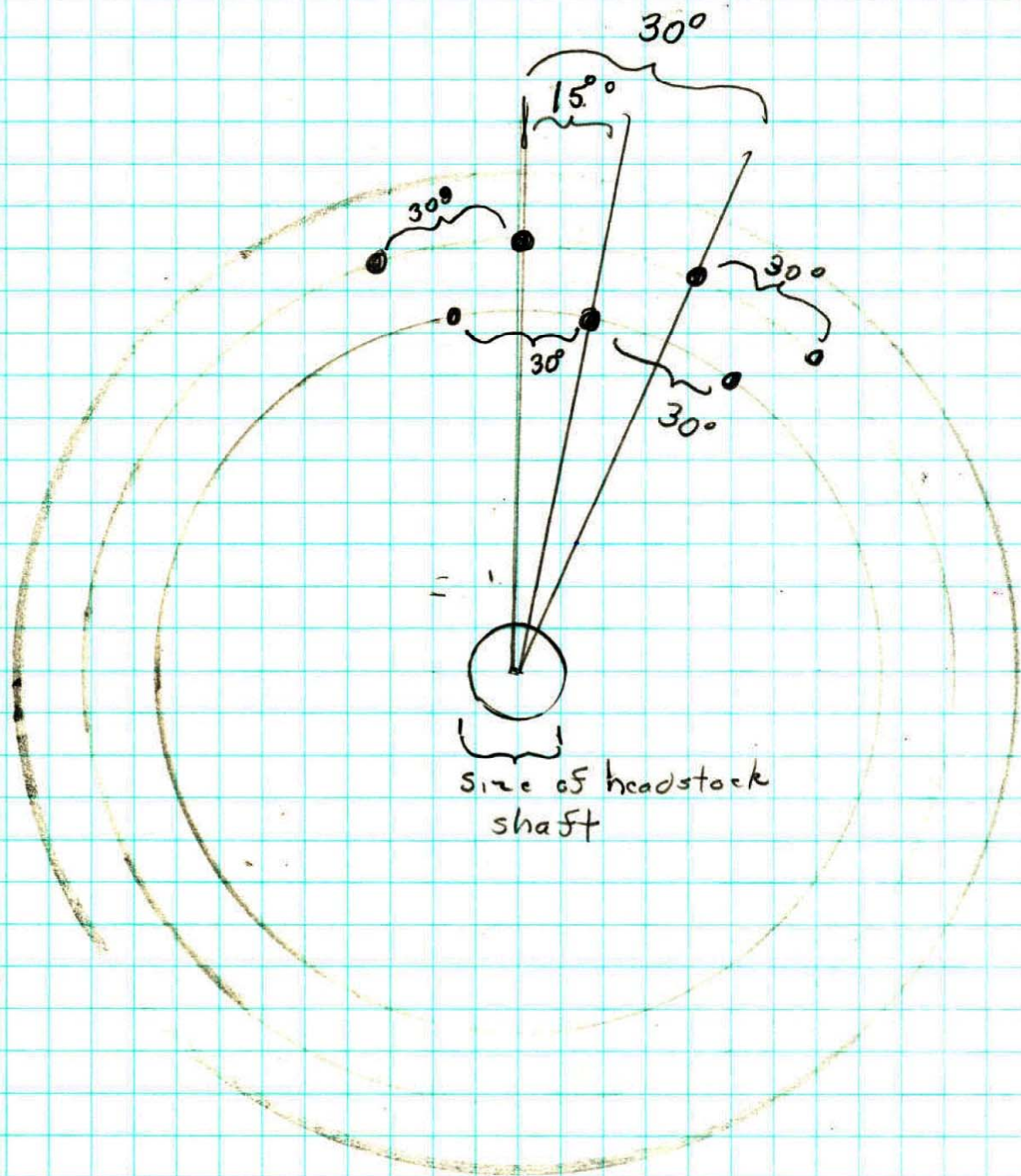
Jet Mini Lathe Open Segment jig

To use



Index wheel Set up





- 8" Diameter AL wheel
1. Mark outer rim holes 30° apart
 2. Mark inner rim holes 30° apart offset 15° from outer rim holes
 3. Punch center of holes, center of disk
 4. Drill out 1/4" holes at rim
 5. Drill out center hole size of head stock shaft
 6. Use outer row of holes for iring, inner row for next ring of screws